



gala

ELECTRONICS





Functions and Features	2
Specifications	3
Descriptions	4
Installation	5
Installation Method	8
Faucet Use	11
Maintenance	12
Warnings	13
Troubleshooting	14



FUNCTIONS AND FEATURES

WATER CONSERVATION

Water starts to flow when the user places their hands near the detection area and stops immediately once the hands are removed.

MAXIMUM HYGIENE

The water flow is activated and stopped without touching the faucet, effectively reducing the risk of bacterial infections.

LOW ENERGY USE

Four AA alkaline batteries offer up to 2 years of continuous use, powering up to 150 cycles per day in DC mode.

CONTROL

The compact control unit contains an integrated circuit within the detection area, protected against splashes and humidity.

COMFORT

The mixer allows users to adjust the combination of hot and cold water.

LOW/DEAD BATTERIES

In DC mode, the faucet automatically stops the water flow if it detects low or dead batteries.

3

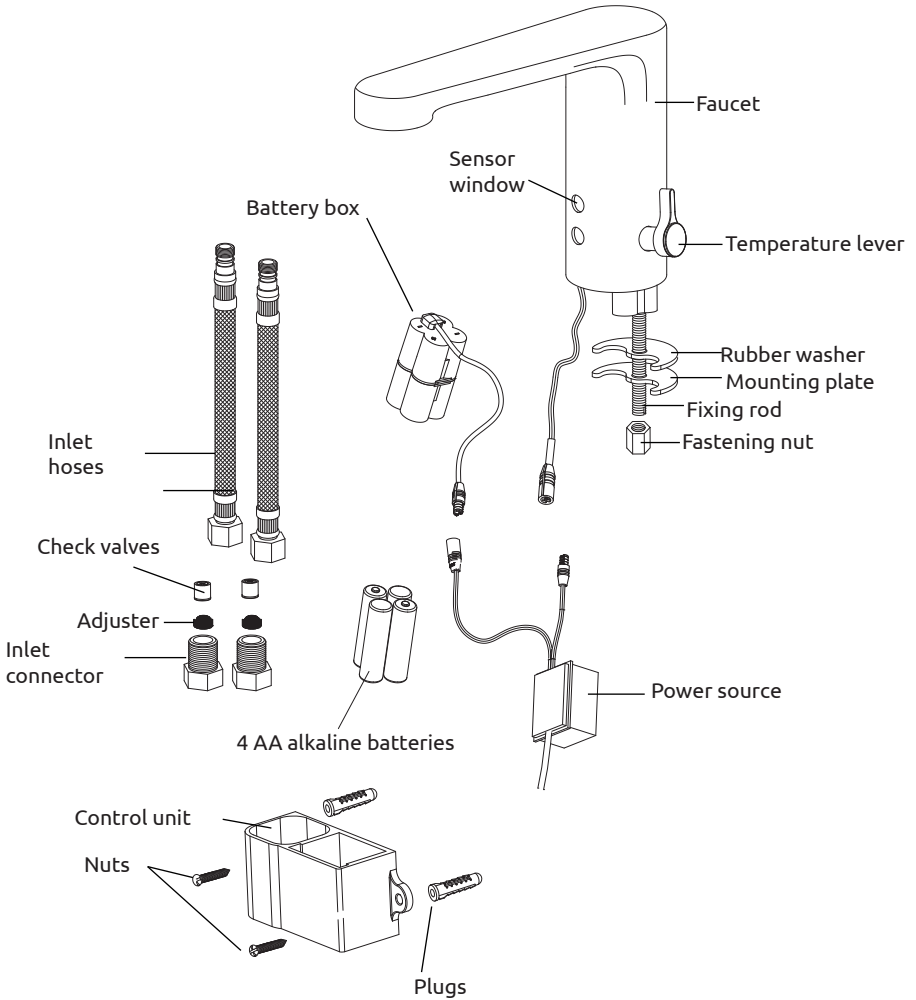
SPECIFICATIONS

Specification		Note
Voltage	DC - 6V AC - 220V	4 AA alkaline batteries
Standby power use	< 0.5mw	2 years with 150 daily uses
Detection area	12 - 18cm	
Water pressure	0.5 ~ 6 Bar	
Hot water temperature	< 80 °C	
Water inlet	G3/8"	

4



DESCRIPTIONS



5



INSTALLATION

LOCATION

Direct sunlight or strong light must be avoided as it can affect the performance of the sensor.

VITREOUS CHINA

The diameter of the tap hole must be over $\varnothing 28$ mm.

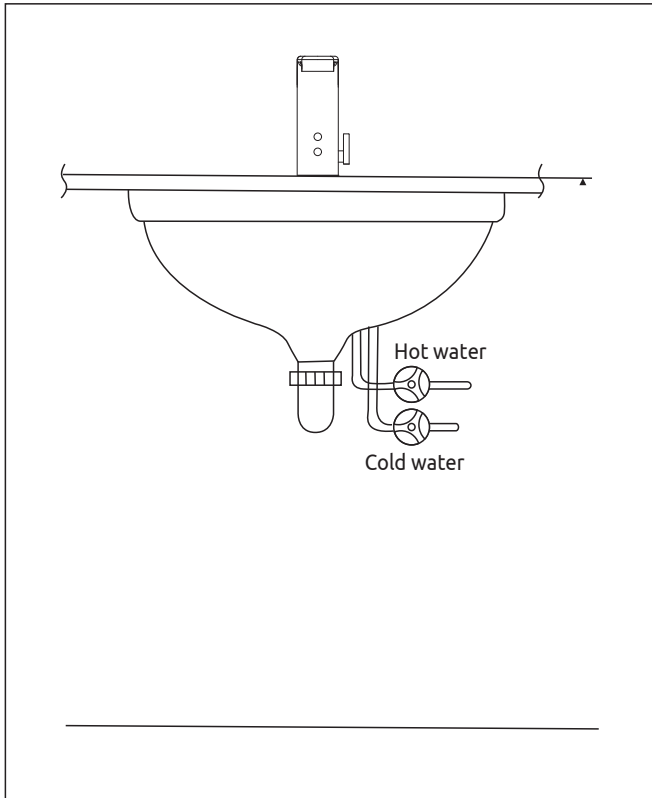
CLEANING OF PIPES

Before installation, the inlet pipes should be flushed out to prevent clogging from dirt.

6



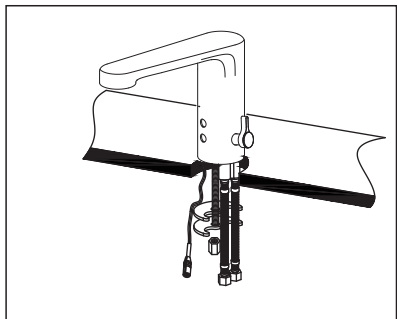
INSTALLATION



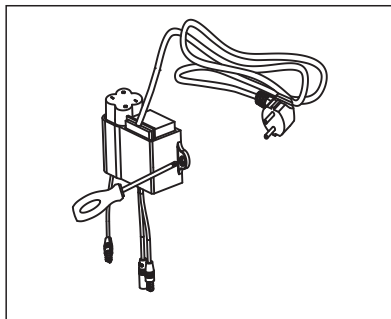
Note: Please shut off the water inlet before installation



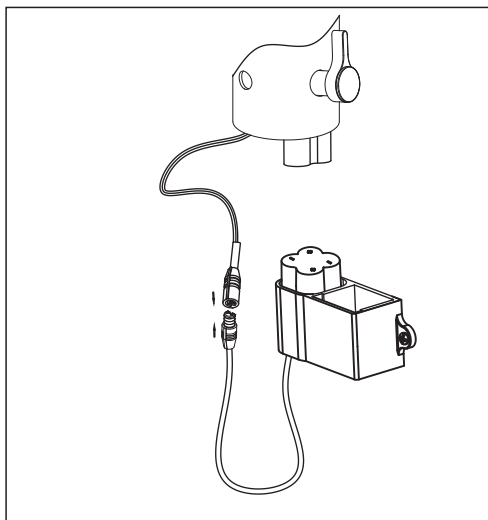
INSTALLATION



1. Install the faucet on the basin, ensuring the hot and cold water connections are securely fastened.



2. Install the power control unit.



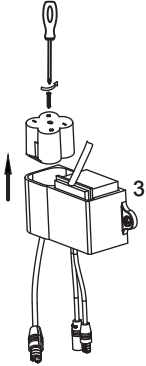
3. When using a DC power supply, the AC outlet connector remains unused.

8



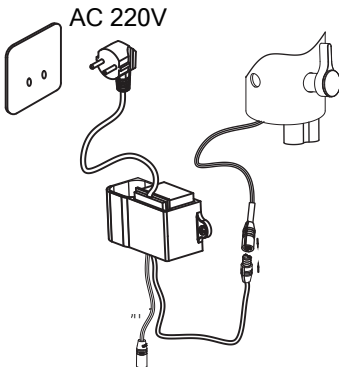
INSTALLATION METHOD

4. Battery installation



- a). Remove the nut and insert the four AA alkaline batteries, ensuring the correct polarity. Then, replace the cover and screw it back on.
- b). After replacing the batteries, wait five minutes following the removal of the old ones to allow for internal reprogramming.

Note: Always use new alkaline batteries and replace all four at the same time.

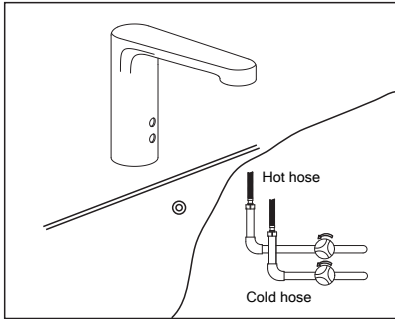


5. When using an AC power supply, the DC outlet connector remains unused.

9



INSTALLATION



6. Connect the hot and cold water and open the water inlet valves.

CLEANING OF SENSOR



After installation, please clean the display of the sensor with a dry cloth.

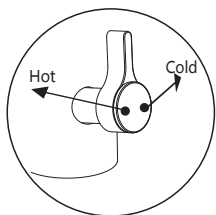
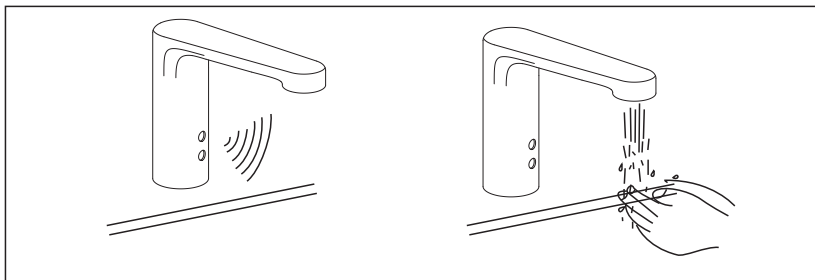
Note: Dirt can affect the performance of the sensor.



FAUCET USE

OPENING AND CLOSING

1. When the user brings their hands close to the detection zone, the water will start flowing after 0.5 seconds and will automatically shut off 0.5 seconds after they remove their hands.
2. If the faucet runs continuously for 1 minute, it will automatically shut off the water flow. It can be reactivated after 10 seconds.



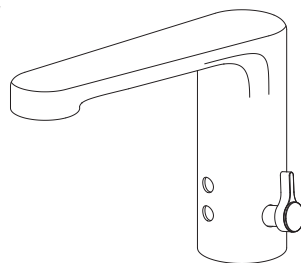
The mixer enables users to adjust the combination of hot and cold water using the side lever. Turn it to the left for hot water and to the right for cold water.



MAINTENANCE

BATTERY INDICATOR (DC USE)

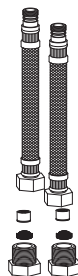
If the batteries are depleted, the LED light will stay on when the sensor detects hands or any object, signaling that the batteries need to be replaced. In this case, the faucet will remain closed.



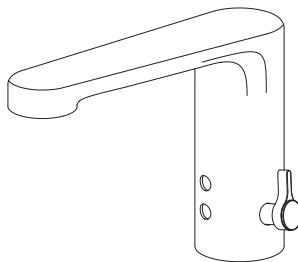
CLEANING THE FILTER AND AERATOR

To maintain optimal faucet performance, clean the filters in the inlet hoses and the outlet aerator if you experience a loss of flow.

Note: Close the stopcocks before disassembling the filters.

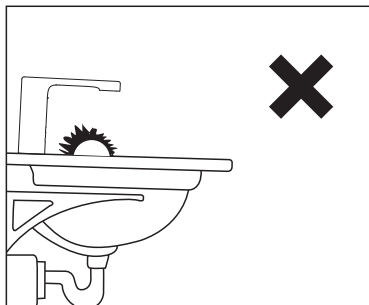


Note: Shut off the water supply before removing the aerator for cleaning.





WARNINGS



Objects near the detection area can interfere with normal operation.

It is advisable not to install the faucet on steel countertops, as this may affect detection performance.



TROUBLESHOOTING

Issue	Possible cause	Solution
No water flow	Dead batteries (DC models)	Replace batteries
	No water in the mains	Wait for the water supply to be restored
	Dirty filter	Clean filter
	Dirt on the display of the sensor	Clean the display
	Out of range water pressure	Correct installation
Water flow does not stop	Dead batteries (DC models)	Replace batteries
	Out of range water pressure	Correct installation
Dripping after use	Low water pressure	Correct installation
	Dirty filter	Limpiar filtro
Low flow rate	Low flow setting	Adjust stopcock
	Dirty filter	Clean filter
	Low water pressure	Correct installation
Excessive flow rate	High flow setting	Adjust stopcock
Short battery life	Batteries are low quality or not alkaline (DC models)	Use correct batteries

15



